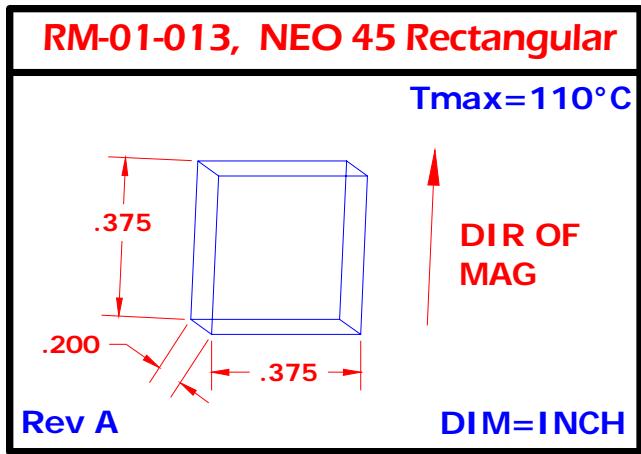
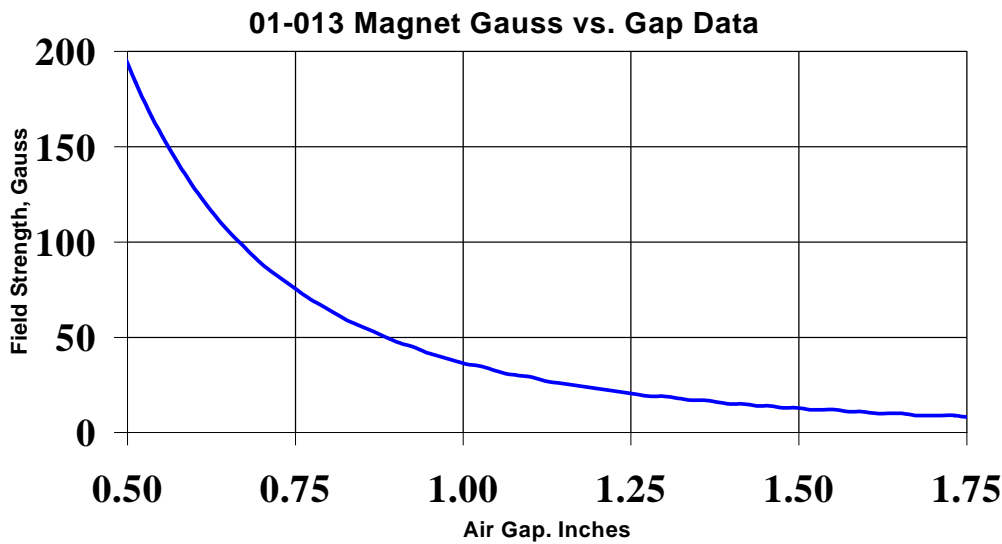


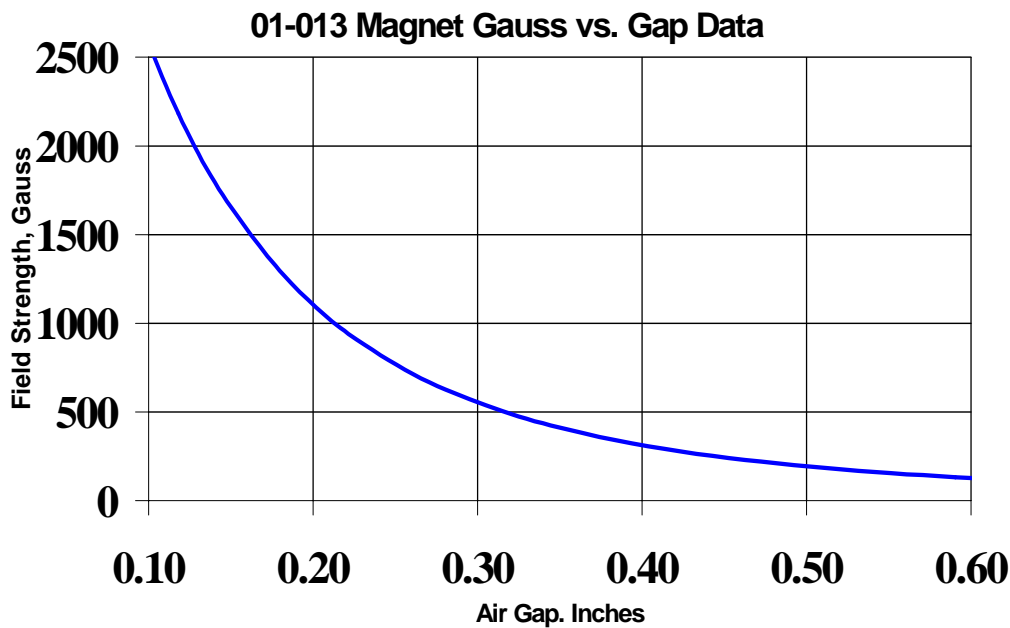
# RM-01-013 Magnet, NEO 45H, Rect, .200/.375/.375, Ni, S-Pole Marked



300-01-013 NEO45H MATERIAL SPECS(25°C):	TYPICAL:	MINIMUM:
PROCESSING TYPE:	SINTERED	
BR GAUSS:	13,500	13,100
HC OERSTED:	13,000	12,000
HCI OERSTED:	16,000	14,000
BHMAX MGOE:	45.0	42.0
BR TEMP CO (%/°C):	-.11	
RECOIL PERM. (UREC):	1.05	
TC CURIE TEMP (°C):	310	
MAX OPERATING TEMP (°C):	110	
Rev A PLATING, BLK PHENOLIC:	.0005"	.0002"



**FAR GAP DATA**



**CLOSE GAP DATA**