

# MC-CA5

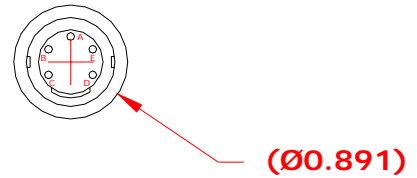
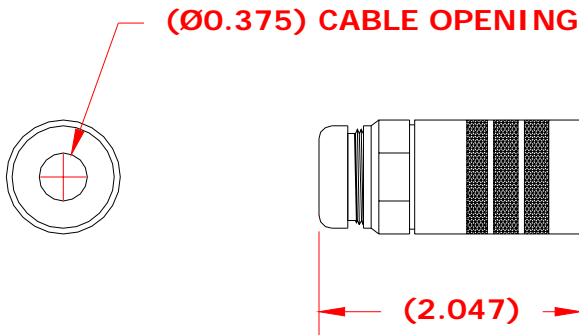
## AMPHENOL 165 SERIES 5 SOCKET MATING CONNECTOR - MATES TO AMPHENOL 165-35 CONNECTORS

### CA5, Amphenol 165, 5 Socket, Female Plug

CONNECTOR: AMPHENOL 165-34, FEMALE, 5 PIN

#### FEATURES

- \*MEETS MIL-C-6-5015 CLASS C REQ.
- \*BAYONET COUPLING
- \*1/3 SIZE OF STD. MIL-C-5015
- \*O-RING SEAL



Rev A

MATES WITH ANY CA5 SENSOR

DIM = INCH



#### Typical 5 Wire Sensor Connections Chart

A	Vcc (+supply)
B	Direction
C	Ground
D	Channel A
E	Channel B

### CONNECTOR ASSEMBLY

